

## UV CURING CHAMBER



New!

## UVACUBE 2000

### Highlights

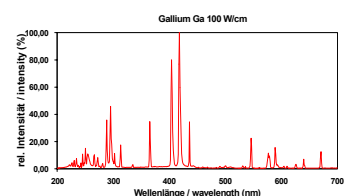
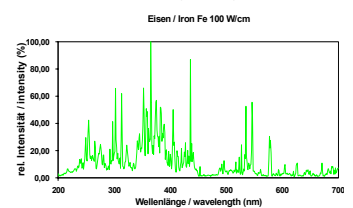
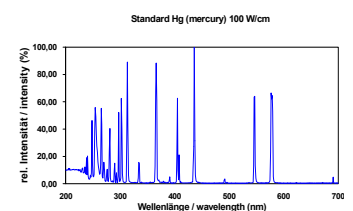
- user-friendly
- high operational safety
- ozone free Hönlé-lamps with standard and special spectra
- two step power control
- optional ACM temperature reduction

The UVACUBE 2000 is a UV curing chamber for laboratory use and manufacture by hand. Through combining different UV units like **direct irradiation or ACM mirror for temperature reduction**, and lamps, UVACUBE 2000 can be used for a large variety of applications and offers individual process solutions. The power and timer pre-set are offering high process reliability. In addition, UVACUBE 2000 meets the highest demands in operational safety and ease of handling.

### Applications

- Curing of adhesives and plastics
- Curing of inks, varnishes and coatings
- UV irradiation for chemical and biological applications

*Standard spectra and spectra tailored to specific requirements can be supplied*

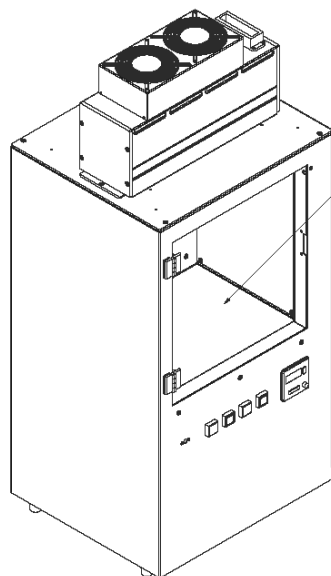


## Generous capacity

UVACUBE 2000 has a useful working capacity of around 45 x 40 x 30 cm (HxWxD) permitting a wide range of objects to be accommodated. Optimized lamp reflectors and interior provide **uniform irradiation (approx. +/- 10% on bottom of chamber).**

## Exact and repeatable results

A timer controlled shutter enables irradiation periods from 1 second to 99 minutes. An acoustic device signals the end of irradiation. As an option UVACUBE can be supplied with a UV sensor that can be located anywhere in the curing chamber to provide exact measuring results.



Dimensions of working capacity:  
450 x 400 x 300 mm  
(H x W x D)

Dimensions of the unit without lamp equipment:  
834 x 467 x 402 mm  
(H x W x D)

## Different lamp spectra

Honle UV lamps offer outstanding power yield with long lamp life. In addition to standard spectra, Honle is able to develop application specific spectra according to the requirements of inks, coatings and adhesives formulators. This means current UV curing processes can be optimised with scope for new applications can be developed.

There are, at a **two-step power control** (50% / 100%), up to 2000 W lamp power for three different arc length available: 100mm, 150mm and 200mm and a arc power output up to 200W/cm, 133W/cm and 100W/cm

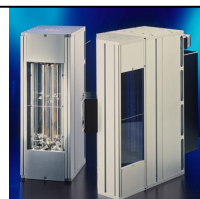
## Safety of operation

Safety of operation is provided through interlocking of the chamber door and the shutter. Door cannot be opened while shutter is unclosed. Shutter is locked while door is open.

Honle group



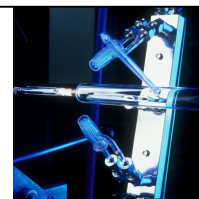
UV-units



UV-systems



measurement



lamps



adhesives

Dr. Hönle AG • UV Technology • Lochhamer Schlag 1 • D- 82166 Gräfelfing/München  
Phone: +49 (0)89/8 56 08-0 • Fax: +49 (0)89/8 56 08-148 • E-Mail: uv@hoenle.de  
Internet: www.hoenle.de

Operating parameters depend on production characteristics and may differ from the foregoing information. We reserve the right to modify technical data.



Certified  
ISO 9001