

- Standard and High performance variant
- Poppet design
- Leakfree closure in one direction
- Four cracking pressures



### Functional Description

The check valve serves the leak free closure in one direction and allows flow in the opposite direction. The poppet design provides leak free closure.

The seat is created directly in the valve housing (1) and the small ball (2) is pushed by spring (3) through the thumb ring (4)\* onto the seat. The cracking pressure depends on the spring selected, its preloading and the

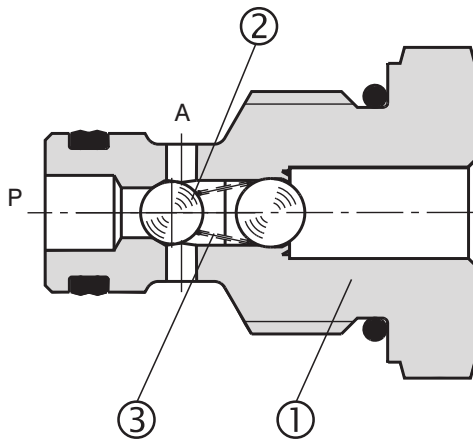
pressurized poppet surface area. The cracking pressure with a standard valve is 0.5 bar (7.25 PSI). Four\* cracking pressures are available.

The surface of the valve housing is zinc coated.

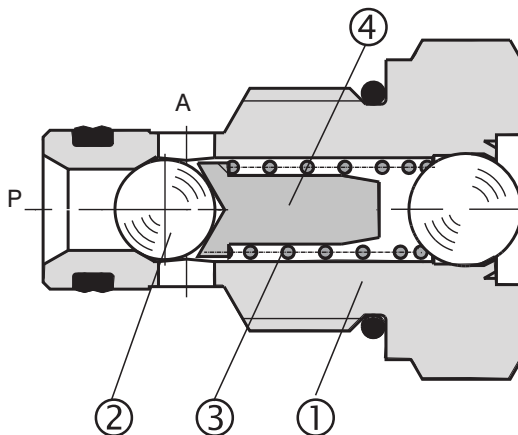
\* With the High performance valve

### Cartridge Valve

Standard performance



High performance



# Ordering Code

**SC1F-A2** /

Check Valves - 3/4 16 UNF

no designation  
**V**

Seals

NBR

FPM (Viton)

**Cracking pressure**

0.5 bar (7.2 PSI)

1.5 bar (21.7 PSI)

3.5 bar (50.7 PSI)

7.0 bar (101.5 PSI)

Standard  
High performance

**S**  
**H**

**\*005**  
**015**  
**035**  
**070**

\* The cracking pressure with a standard valve is 0.5 bar (7.25 PSI)

# Technical Data

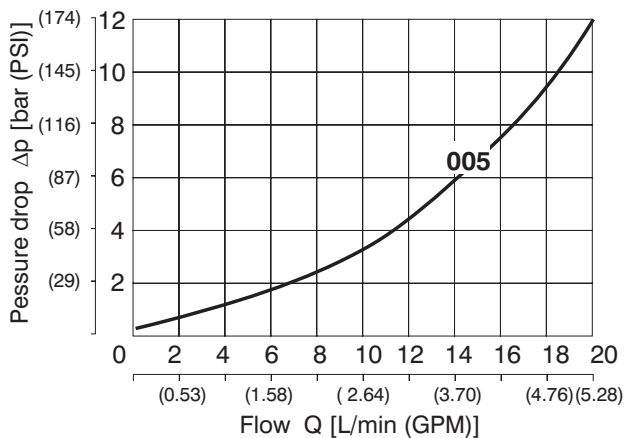
		Standard	High performance
Cartridge thread		3/4 16 UNF-2A	
Maximum flow rate	L/min (GPM)	20 (5.3)	40 (10.6)
Max. operating pressure	bar (PSI)	350 (5076)	420 (6091)
Cracking pressure	bar (PSI)	0,5* 1,5	3,5 7,0
Hydraulic fluid		Hydraulic oils of power classes (HL, HLP) to DIN 51524	
Fluid temperature range (NBR)	°C (°F)	-30 .... +100 (-22 ... +212)	
Fluid temperature range (Viton)	°C (°F)	-20 .... +120 (-4 ... +248)	
Viscosity range	mm <sup>2</sup> /s (SUS)	10 ... 500 (49 ... 2450)	
Maximum degree of fluid contamination		Class 21/18/15 according to ISO 4406	
Valve tightening torque	Nm ( lbf.ft)	60+2 (44.25+1.47)	
Weight	kg(lbs)	0,05	0,06
Mounting position		unrestricted	
Valve body ( data sheed HA 0018)		SB-A2	

\* The cracking pressure with a standard valve is 0.5 bar (7.25 PSI)

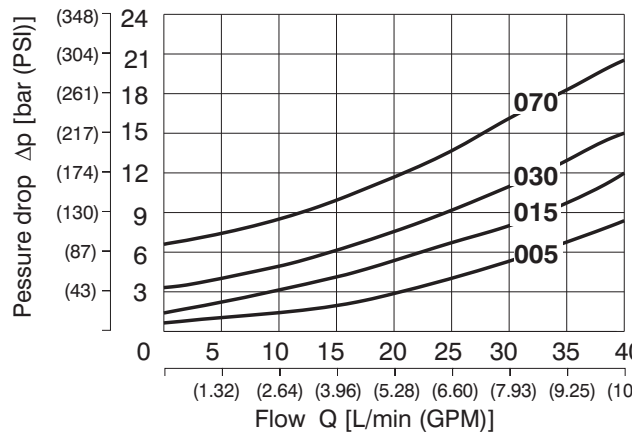
# Δp-Q Characteristics

Measured at v = 32 mm<sup>2</sup>/s (156 SUS)

Standard valve



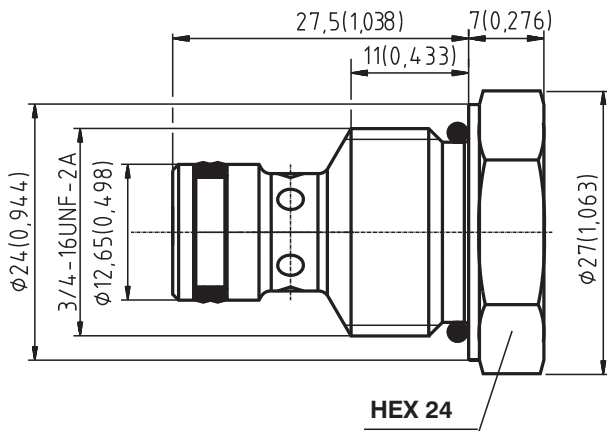
High performance valve



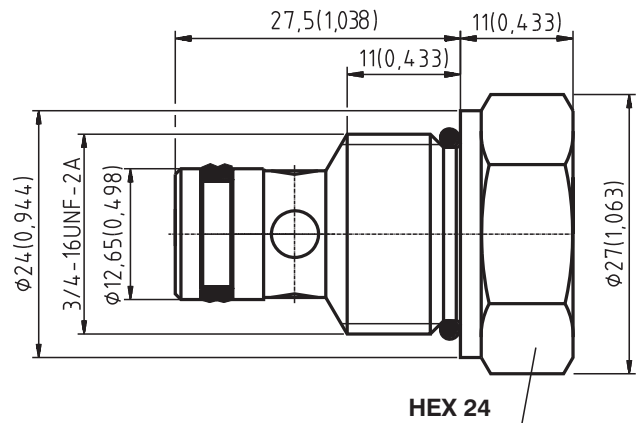
# Valve Dimensions

Dimensions in millimeters (inches)

## Standard valve

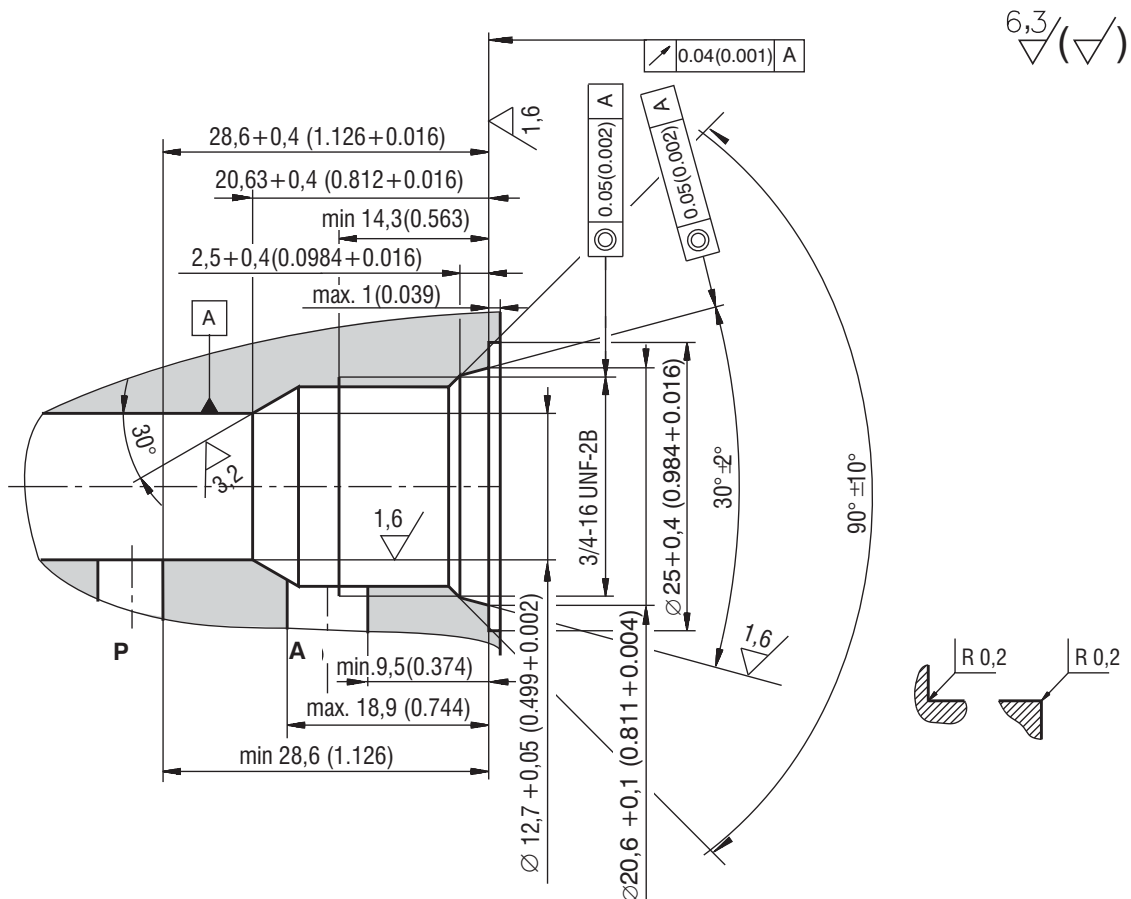


## High performance valve



# Cavity

Dimensions in millimeters (inches)



# Spare Parts

## Standard and high performance valve

Dualeal - PU	O-ring - NBR	O-ring - Viton	Ordering number
10.3 x 12.7 x 3.1 (1pc.)	17 x 1.8 (1pc.)	-	22752500
10.3 x 12.7 x 3.1 (1pc.)	-	17.17 x 1.78 (1pc.)	22752600

## Caution!

- The packing foil is recyclable.
- The technical information regarding the product presented in this catalogue is for descriptive purposes only. It should not be construed in any case as a guaranteed representation of the product properties in the sense of the law.

ARGO-HYTOS s.r.o. CZ - 543 15 Vrchlabí  
Tel.: +420-499-403 111  
E-mail: [info.cz@argo-hytos.com](mailto:info.cz@argo-hytos.com)  
[www.argo-hytos.com](http://www.argo-hytos.com)