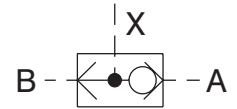
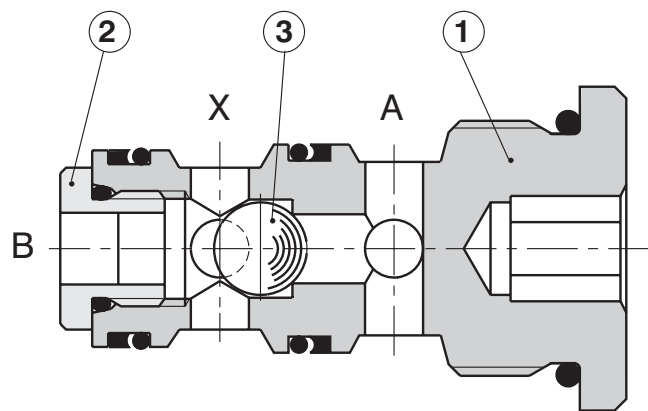


- Ball-valve
- Poppet design
- Comparing and transmitting a pressure signal



### Functional Description

LV1-063 is 3 way poppet valve consists of the valve housing (1), the seat (3) and the ball (2). It connects the users B or A with X according to the size of the control signal in these ports.



### Ordering Code

**LV1-063**

Logical Valve

Nominal size

no designation

Seals  
NBR

3 way design

### Technical Data

Nominal size		06
Maximum flow rate	L/min (GPM)	40 (10.57)
Maximum working pressure	bar(PSI)	320 (4641)
Fluid temperature range (NBR)	°F (°C)	-30 ... +100 (-22 ... +212)
Viscosity range	SUS (mm <sup>2</sup> /s)	20 ... 400 (98 ... 1840)
Hydraulic fluid		Hydraulic oils of power classes (HL, HLP) to DIN 51524
Maximum degree of fluid contamination		Class 21/18/15 to ISO 4406
Mounting position		unrestricted
Weight	kg(lb)	0,078 (0.41)

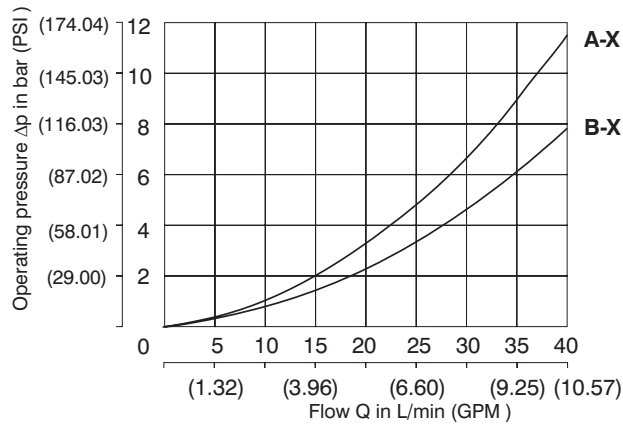
### Spare Parts

#### Seal kit

Type	Dimensions, quantity		Ordering number
	O-ring	Back-up ring	
Standard - NBR	14 x 1.78 NBR 90 (2 pc.)	BBP80B015-N9 14.73 x 17.43 x 1.14 (2 pc.)	22752700
	19.4 x 2.1 NBR 80 (1 pc.)	-	

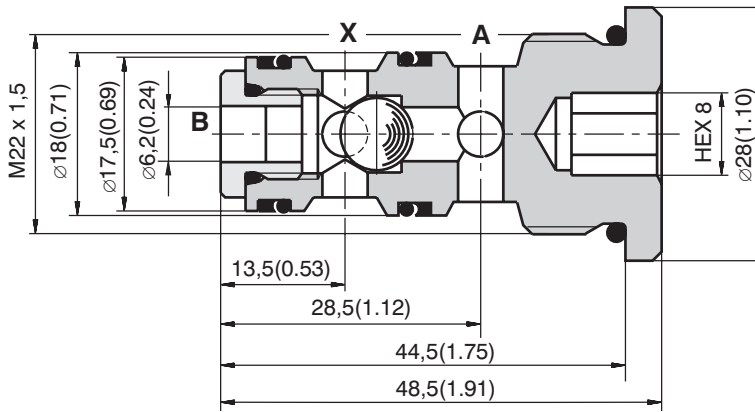
# Δp-Q Characteristics

Measured at  $v = 32 \text{ mm}^2/\text{s}$  (156 SUS)

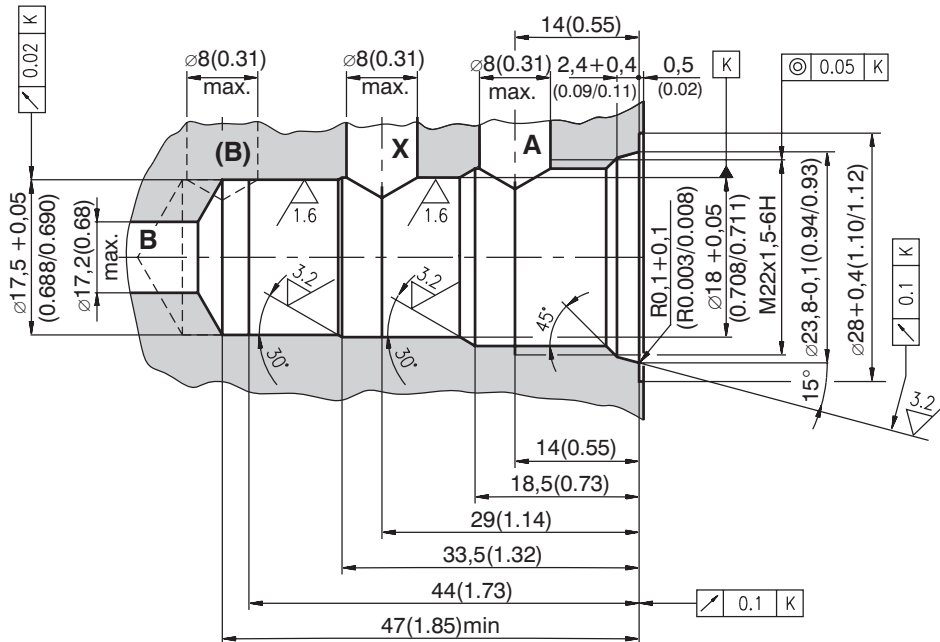


# Valve Dimensions

Dimensions in inches and millimeters (in brackets)



# Cavity



# Caution!

- The packing foil is recyclable.
- Tightening torque 30 Nm.
- The technical information regarding the product presented in this catalogue is for descriptive purposes only. It should not be construed in any case as a guaranteed representation of the product properties in the sense of the law.

ARGO-HYTOS s.r.o. CZ - 543 15 Vrchlabí  
 Tel.: +420-499-403111, Fax: +420-499-403421  
 E-mail: sales.cz@argo-hytos.com  
 www.argo-hytos.com