



Oil Level Dipsticks

C4.0410 · C4.0412
C4.0421 · C4.0431
C4.0450 · C4.0464

- With mounting bolts
- Bolt thread M 10
- Dipstick length up to 640 mm

Description

Application

Controlling the oil level in hydraulic oil or lubricant reservoirs

Construction and function

ARGO-HYTOS oil level dipsticks are robust semicircular metal rods with an O-ring seal.

A mounting bolt with a suitable hole is supplied with each dipstick. Dipsticks are available in various lengths, with various markings, and with various mounting bolts (see selection chart).

Special features

- The robust material withstands even the most severe operating conditions
- The integral O-ring provides a 100% tight seal
- A suitable dipstick mounting bolt can also replace one of the mounting bolts of an in-tank return or suction filter

Mounting

The bolt supplied with the oil level dipstick is installed either in a separate threaded hole or in an already existing mounting hole for an in-tank filter. This eliminates the need to machine an extra mounting hole.

If used as a filter mounting bolt, care should be taken to provide a proper seal between the tank, the filter and the mounting bolt.

Selection Chart

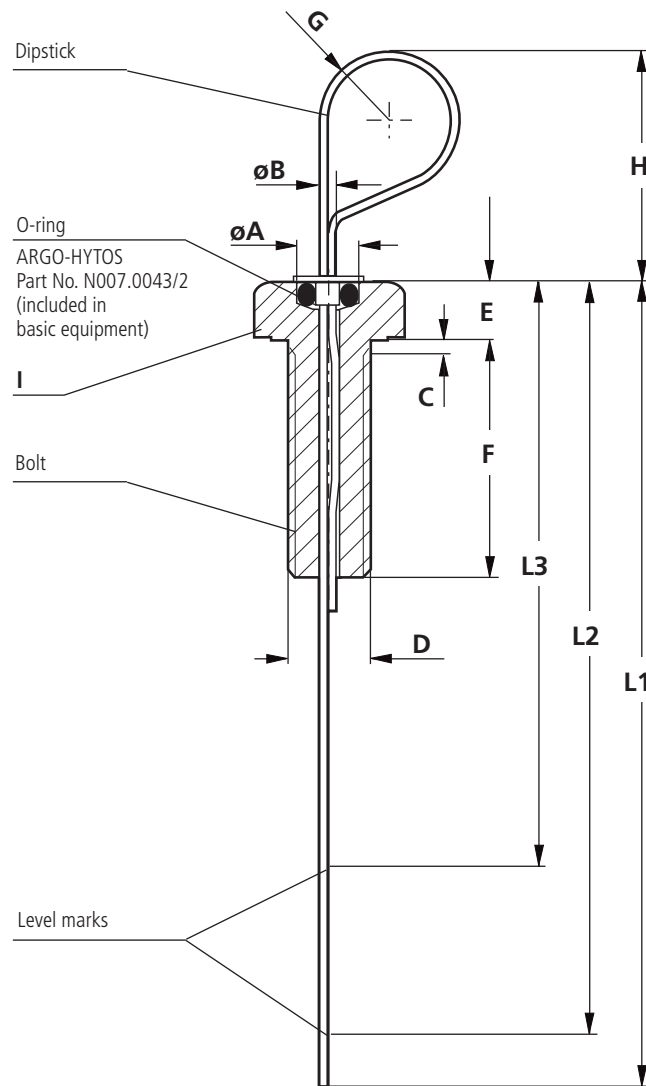
Part No.	Dipstick dimension L1	Dipstick dimension L2	Dipstick dimension L3	Mounting bolt	Grade	Remarks
1	2	3	4	5	7	8
C4.0410-00330	100	-	-	SV.2810.05	8.8	-
C4.0410-01330	100	95	64	SV.2810.05	8.8	-
C4.0412-00330	120	-	-	SV.2810.05	8.8	-
C4.0412-03330	120	97	47	SV.2810.05	8.8	-
C4.0412-04330	120	100	75	SV.2810.05	8.8	-
C4.0421-00330	210	-	-	SV.2810.05	8.8	-
C4.0421-04330	210	118	88	SV.2810.05	8.8	-
C4.0421-06330	210	71	46	SV.2810.05	8.8	-
C4.0431-00330	310	-	-	SV.2810.05	8.8	-
C4.0431-01330	310	190	160	SV.2810.05	8.8	-
C4.0450-00330	500	-	-	SV.2810.05	8.8	-
C4.0464-00330	640	-	-	SV.2810.05	8.8	-
C4.0464-01330	640	630	90	SV.2810.05	8.8	-

Remarks:

The dipsticks listed in the chart are standard dipsticks. If modifications are required, e.g. for the use in pressurized tanks, we kindly ask for your request.

Dimensions

Dipstick with bolt



Dimensions

Bolt	A	B	C	D	E	F	G	H	I
SV.2810.05	10	3,7	4,5	M 10	7	30	10	39	AF17

Characteristics

Operating pressure

Max. 1 bar (abs.)
(not suitable for use in pressurized hydraulic oil tanks)

Connection

Threaded ports according to ISO 228 or DIN 13.
Sizes see section Dimensions (other port threads on request).

Hydraulic fluids

Mineral oil and biodegradable fluids
(HEES and HETG, see info-sheet 00.20)

Temperature range

- 30°C ... + 100°C (temporary + 125°C)

Ambient temperature range

- 30°C ... + 80°C (temporary + 100°C)

Materials

Dipsticks:	Steel, zinc plated
Bolts:	Steel, zinc plated
Seals:	NBR (FPM on request)

Mounting position

Preferably in vertical position, above the oil level

Quality Assurance

Quality management according to DIN EN ISO 9001

Various quality controls during the production process guarantee the leakfree function and solidity of our filters.

Our engineers will be glad to advise you in questions concerning filter application, selection as well as the cleanliness class of the filtered medium attainable under practical operating conditions.

Illustrations may sometimes differ from the original. ARGO-HYTOS is not responsible for any unintentional mistake in this specification sheet.



We produce fluid power solutions

ARGO-HYTOS GMBH · Industriestraße 9 · 76703 Kraichtal-Menzingen · Germany
Phone: +49 7250 76-0 · Fax: +49 7250 76-199 · info@argo-hytos.com · www.argo-hytos.com

Subject to change
70.10-3e · 0213