

Pallet Stoppers

with pneumatic damping

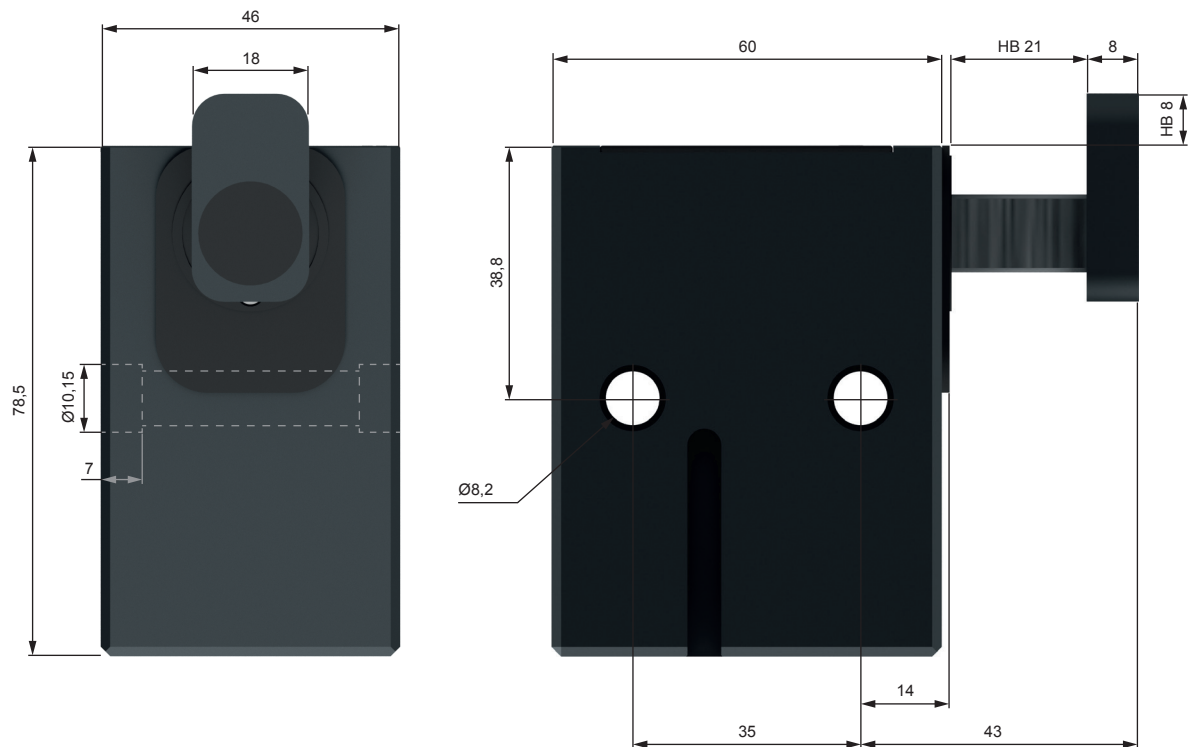
WPS-A 20

WPS-A 60



ONLINE
2D / 3D CAD Download





PERFORMANCE

Speed		6 m/min	9 m/min	12 m/min	18 m/min	24 m/min	30 m/min	36 m/min	50 m/min
WPS-A 20	Mass (kg)	2 - 20	2 - 10	2 - 10	2 - 10	2 - 7	2 - 5	1 - 3	0,25 - 1,5
WPS-A 60	Mass (kg)	3 - 60	3 - 40	3 - 35	3 - 30	3 - 24	3 - 18	3 - 10	1 - 5

FRICTION

	Mass	Friction
WPS-A 20	0,25 - 2 kg	0,07 μ
WPS-A 60	1 - 60 kg	0,07 μ

MASS SPECIFICATIONS

Masses are based on the total weight (pallet and workpieces), these are determined at a belt friction of 0,07 μ .

Benefits

- Precise deceleration and singulation of pallets
- Adjustable pneumatic deceleration with pneumatic piston return
- Masses up to 60kg and speeds up to 50 m/min
- Housing: aluminium, black anodized, guide rod: hard anodized
- Hardened stop
- Sensor for end position (optional)
- Special version: pallet stopper for clean room Cl. 5 (ISO), Cl. 100 (US), Cl. 3 (VDI)
- RoHS compliant Directive 2002/95/EC

Technical Data

Working Pressure	4 - 8 bar
Compressed Air	treated
Tube Diameter	6 - 8 mm
Stroke horizontal:	21 mm
Stroke vertical:	8 mm

Function: single-active
open: pneumatic
close: spring force

Pull down force (- spring force): 390 N at 6 bar

Air consumption: ca. 0,04air/min per stroke

Operation - Air
Pneumatic, filtered air: dry, oiled or unoled
Pressurized air according ISO in 8573-1: Grade 4

Temperature
-10 °C bis +80 °C

Technical Data

Maximum traffic jam pressure

- Depending on friction between pallet and transfer system
- Depending on friction between pallet and the poster
- Depending on the position of the pallet's poster
- Depending on the surroundings conditions

Enquiry options

The WPS-A 20/60 owns 4-T grooves for various electronic query.
About these enquiry options the positions of the poster are recognised.

Maintenance

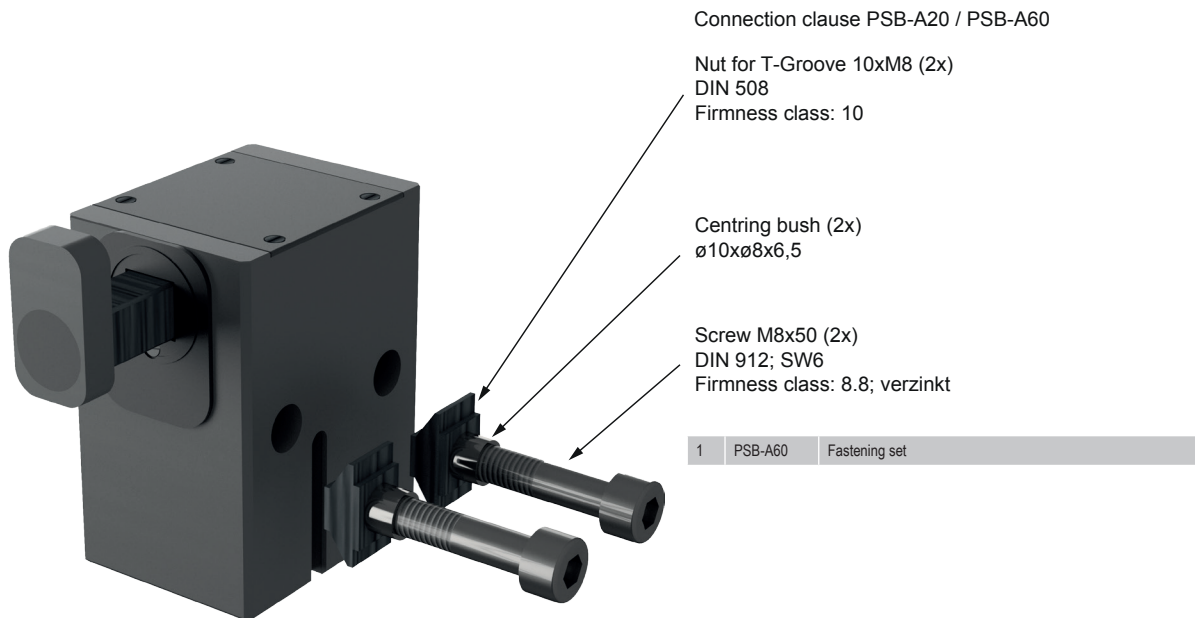
No maintenance works must be carried out.
Compressed air: dry, oiled or unoled; after ISO in 8573-1: Grade 4.
The area around the pallet stopper must be cleaned and free from shavings,
to be able to guarantee exact positioning of the tool bearer.

Piston diameter (for lowering)

WPS-A 20	Piston Ø32
WPS-A 60	Piston Ø32

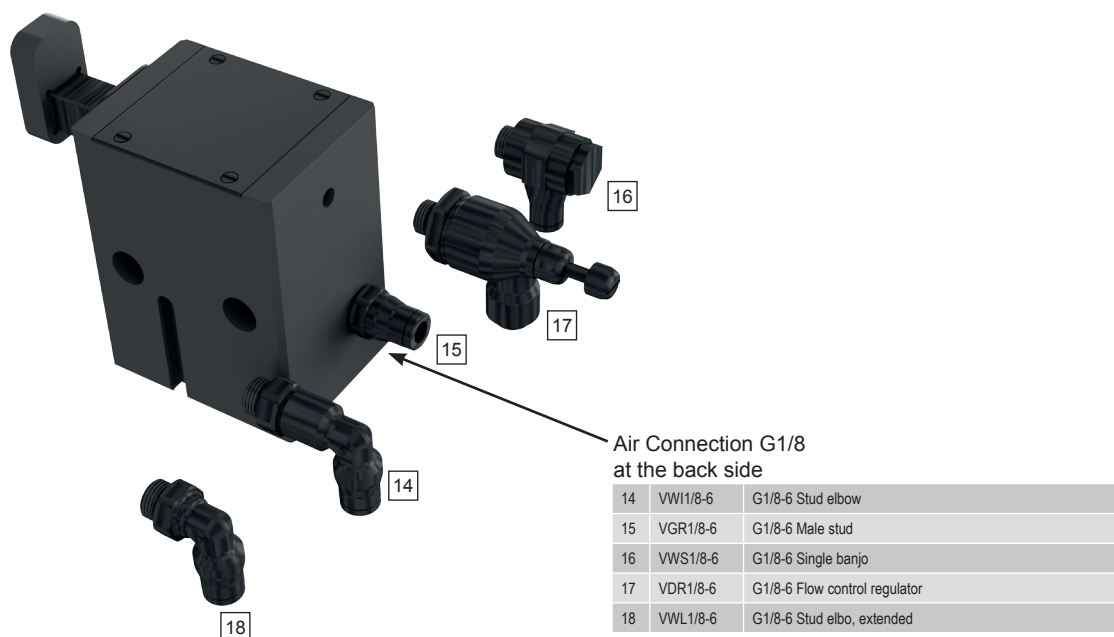
Accessories

Mounting



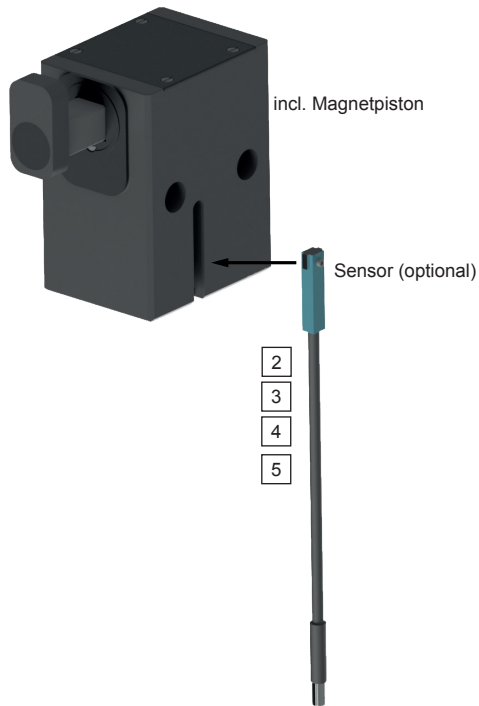
-The palette stopper is on both sides mountable

Air Connection



Sensor versions

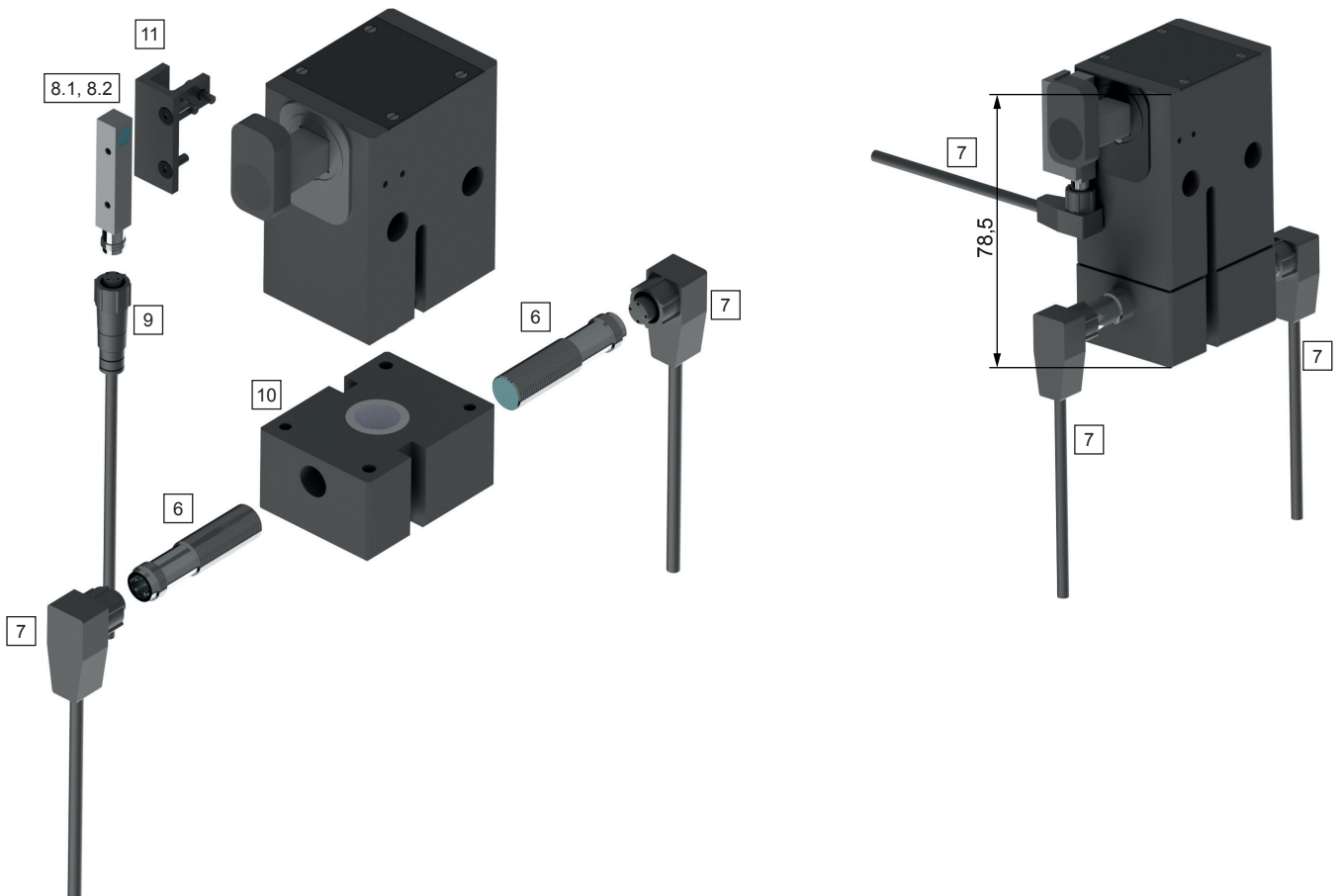
WPS-A 20-N
WPS-A 60-N



2	N 10	Sensor, inductiv, 2,5 m cable
3	N 11	Sensor, inductiv, 5 m cable
4	N 15	Sensor with plug, inductiv, Ø 8mm, 0,3 m cabl
5	N 16	Sensor with knurled nut, Ø 8mm, inductiv, 0,3 m cable
6	N 20	Sensor with plug M12x1, inductiv
7	KS60	Cable with angle plug, Ø12mm
8.1	N 31	Sensor, inductiv with plug
8.2	N 30	Sensor with cable 2,5m, inductiv
9	KS50	Cable with plug m, Ø mm
10	PSA60-15	Position bracket WPS-A 20 / 60
11	PSA60-16	Position bracket WPS-A 20 / 60
12	PSA60-17	Position bracket WPS-A 20 / 60

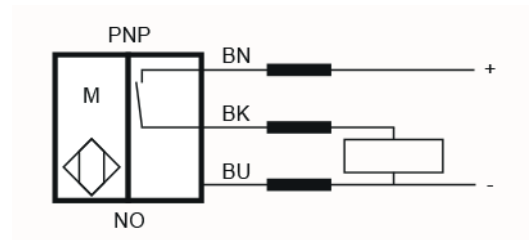
Ordering information proximity switch

Standard version: without preparation for proximity switch (e.g. WPS-A60)
„NV“ Version: with preparation for proximity switch (e.g. WPS-A60-NV)
The proximity switch must be ordered separately.

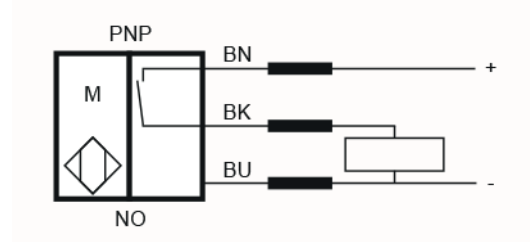


Accessories

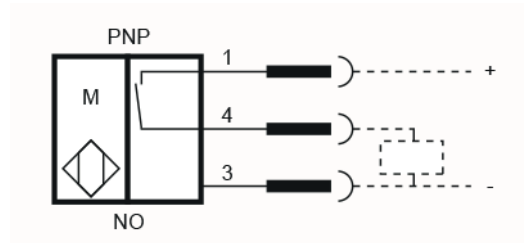
Proximity switch N10



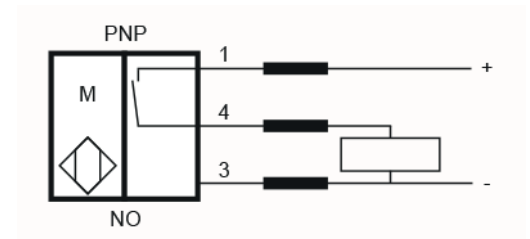
Proximity switch N11



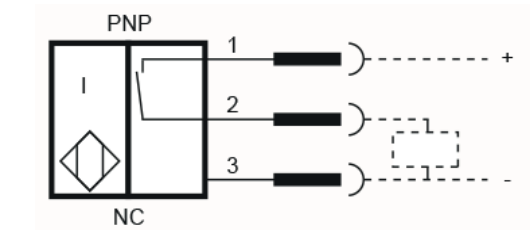
Proximity switch N15



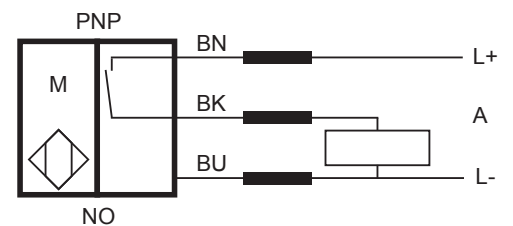
Proximity switch N16



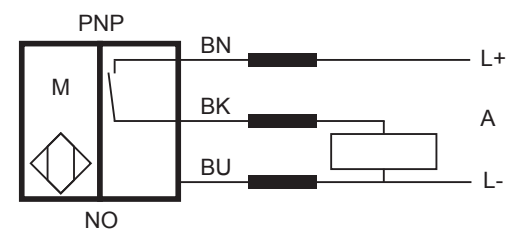
Proximity switch N20



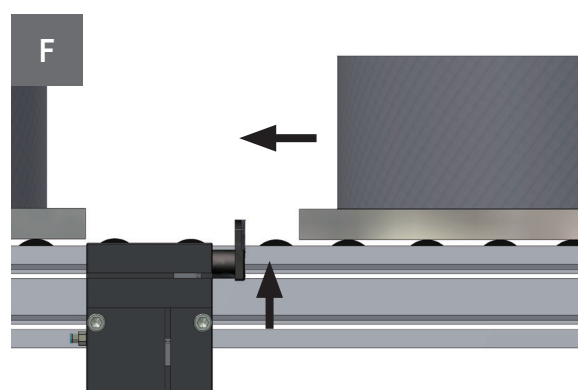
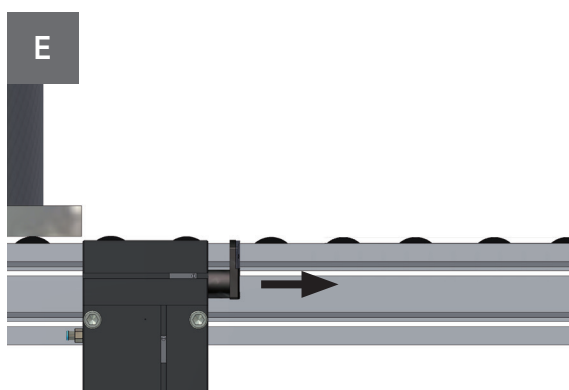
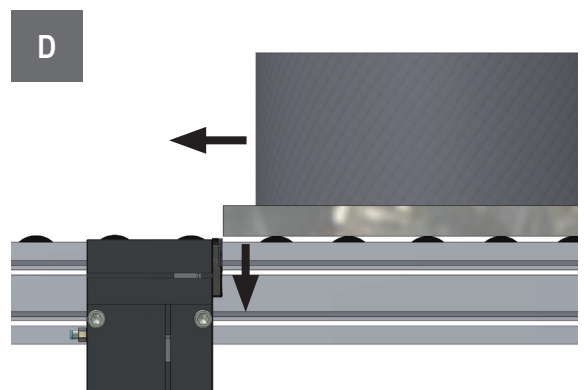
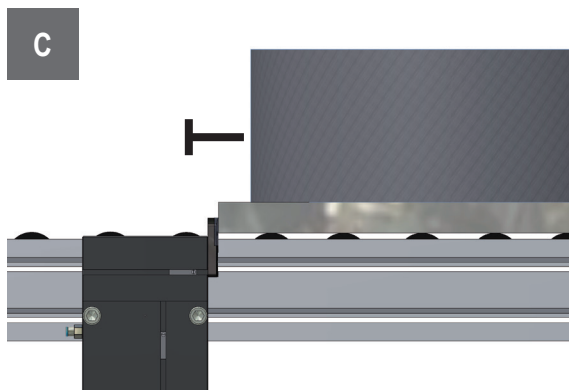
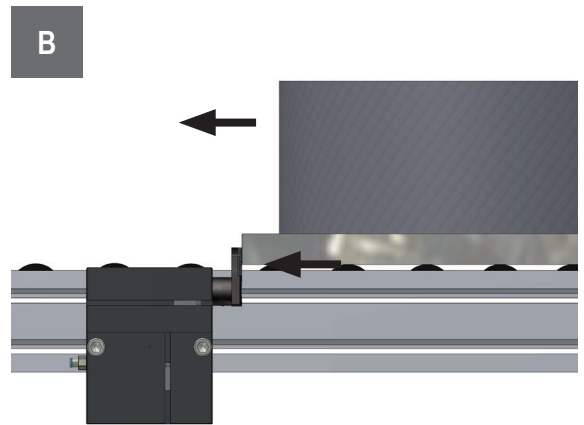
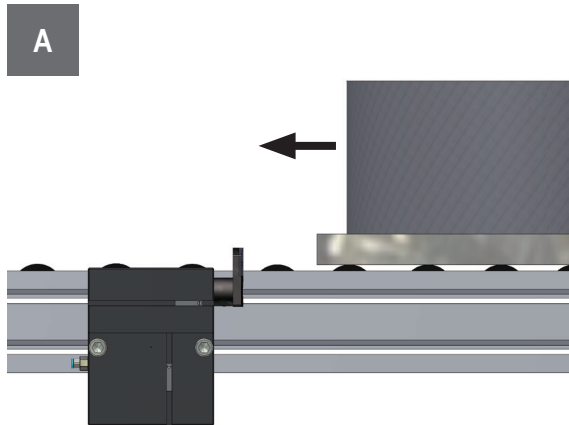
Proximity switch N30



Proximity switch N31



Working Principle



Safety Instructions

Attention

For all work on or with the pallet stopper WPS-A20/60, the data sheet must be observed.
The work must be performed by trained, skilled personal.

Electrical connections must be in accordance with VDE0100 or the relevant national regulations.

Repair and maintenance:

Electricity and compressed air must be shut down.
The work area is to prevent against accidentally switch on of electricity and compressed air.

Reference temperature for all technical information: 20°C
At a higher temperatures the energy absorption or torque is reduced.

Maximum load:

If multiple pallets piled up in the transfer system and later given free individual, it must be ensured that when releasing the first pallet, the total mass of the following pallets exceed the maximum weight to be stopped at any time (see table: Performance)

Designated use

Stopping and positioning of one or several pallet(s) at the stop plate of the pallet.
The pallet stopper WPS-A20/60 is designed for the separation of pallets.
A load may occur only in the direction of work.
The pallet stopper WPS-A20/60 is not suitable for explosion-threatened areas.
Without written acceptance of Weforma the WPS-A20/60 can not be used as a safety device.
The position of the stop must be detected.

Liability - Guarantee

All warranty and liability claims expire at non-designated use.
This applies even if no original spare parts are used.

Environment protection

The replacement of worn parts must be paid to proper disposal.
Wearing parts and complete stopper can be sent to Weforma for free disposal.